

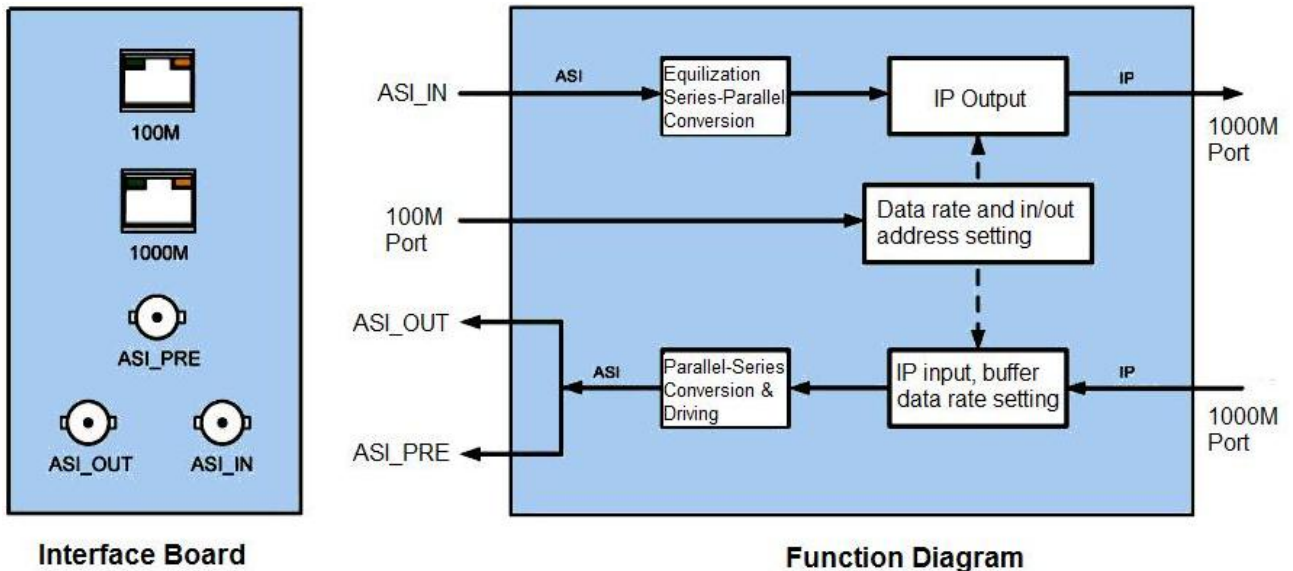
GASI1000-1 ASI to Gigabyte IP Converter

GASI1000-1 is designed to convert single MPEG-II ASI to Gigabyte IP and Gigabyte IP to MPEG-II ASI at the same time on the same board. GASI1000-1 has embedded PCR function to improve the jitter on the TS from IP.



Features:

- I Single Board converting ASI to IP and IP to ASI at the same time.
- I ASI-IN directly to ASI_OUT when power shut off
- I 100M Ethernet Port for parameter setting



Specifications:

ASI Input:

Connector: BNC

Input Impedance: 75Ω

ASI Input Level: 200mV (minimum), 880mV (maximum)

Return Loss: >15dB

Latency from ASI to IP: 40mS

ASI Output:

Connector: BNC

Impedance: 75Ω

ASI Output Level: 800±80mV

Rise/Down Time (20%~80%): ≤1200ps

Overshoot: <10%

Jitter: <10%

Return Loss: >15dB

Latency from IP to ASI: 40mS

Gigabyte IP Port:

Standard: EN301192

Gigabyte IP transmission: Multicast

Connector: RJ45

100M Ethernet Control Port:

Connector: RJ45

Management: Web, SNMP

Power Consumption: 10W

Ordering Information:

GASI1000-1: ASI to Gigabyte IP and Gigabyte IP to ASI converter board

GASI1000C: 19" 1RU chassis with 110/220V AC power supply, four slots for 4pcs GASI1000-1 boards