

GLB3500 L-Band Fiber Optic Link

GLB3500 L-Band Satellite Transport System is a 1550nm fiber link between satellite antenna and receiver equipment. Working with Greatway Technology's high power Erbium Doped Fiber Amplifier (EDFA) GWA3500, GLB3500 can distribute up to four satellite dish signals to hundreds of subscribers. GLB3500 allows single mode fiber transmission distances to 25 km at 1550 nm.

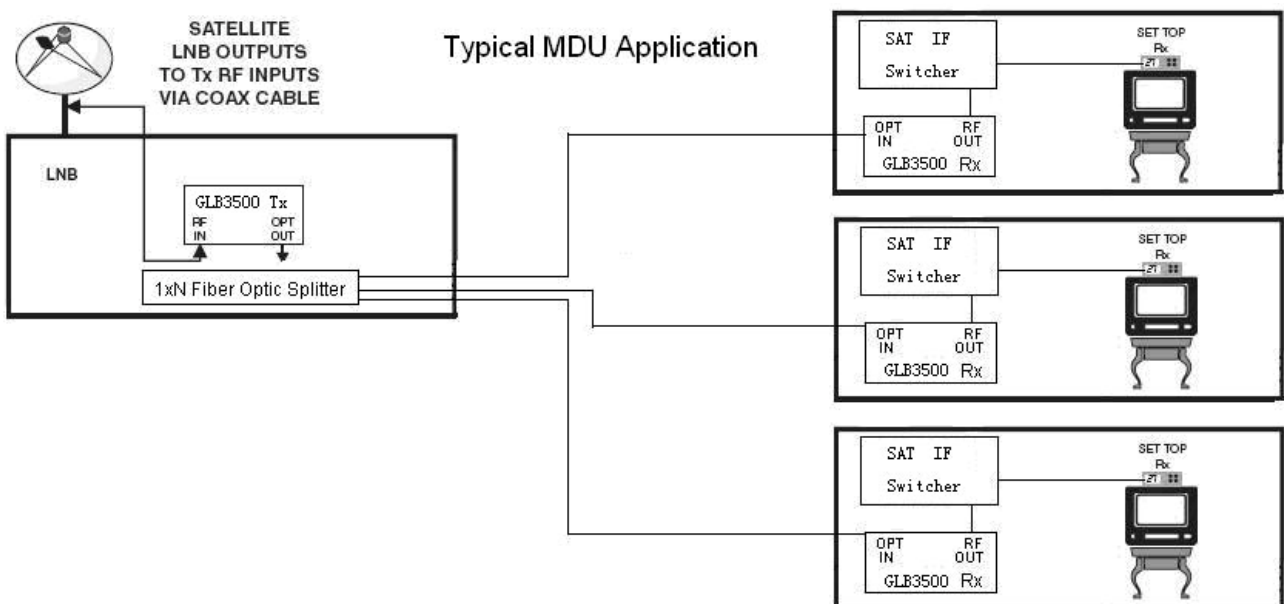
GLB3500 has two versions: outdoor waterproof Aluminum Die Casting version GLB3500U and indoor 19" 1RU rack version GLB3500R. The outdoor version has capacity for two optical transmitters or two optical receivers. The indoor version has capacity for four optical transmitters or four optical receivers.



Features:

- | 950MHz to 2150MHz L-Band Fiber Link
- | 1550nm Single Mode Fiber Distance up to 25Km
- | Fiber Dense Distribution to hundreds of Subscribers with EDFA
- | Satellite Dish distributed over fiber and coaxial cable
- | Waterproof outdoor version and indoor version available

Applications:



Specifications: L-Band RF and Optical Characteristics

Parameter	Min	Typ	Max	Units
Laser Wavelength		1550		nm
Laser Output Power	0	+3	+4	dBm
Rx Optical Input Power	-6	-3	+3	dBm
Tx Input RF Return Loss	10	13		dB
Rx Output RF Return Loss		13	15	dB
System Gain (0 dB Opt. Loss)	16	18	20	dB
System Gain variation over temp	-2		2	dB
Amp. Flatness (950-2150 MHz)		+/-1.5	+/-2.0	dB
Group Delay (950-2150 MHz)		0.5	1	ns
Noise Figure (0 dB opt. loss)		22	24	dB
Tx RF Input Range	-60		-15	dBm

Electrical/Optical Characteristics

Parameter	Optical Performance
RF Connector	F-Type
RF Impedance	75 Ohm
Fiber	9 μ m / 125 μ m Single Mode Fiber
Fiber Connector	SC/APC

Physical and Environmental Characteristics

Parameter	Optical Performance
Power Supply	100~240V AC
Power Consumption	< 30W
Dimension	325×225×128 (mm) (Outdoor Version) 480×325×44 (mm) (Indoor Version)
Weight	<5Kg (Outdoor Version) <8Kg (Indoor Version)
Operating Temperature	-40~+60 °C
Storage Temperature	-40~+85 °C
Relative Humidity	5~95 % (non-condensing)

Ordering Information

GLB3500AT-B L-Band Optical Transmitter
GLB3500AR-B L-Band Optical Receiver

A (Housing): U-Outdoor Version; R-Indoor Version

B (Tx or Rx Number): 1 or 2 or 3 or 4