

Wavelength Independent Fiber Splitter

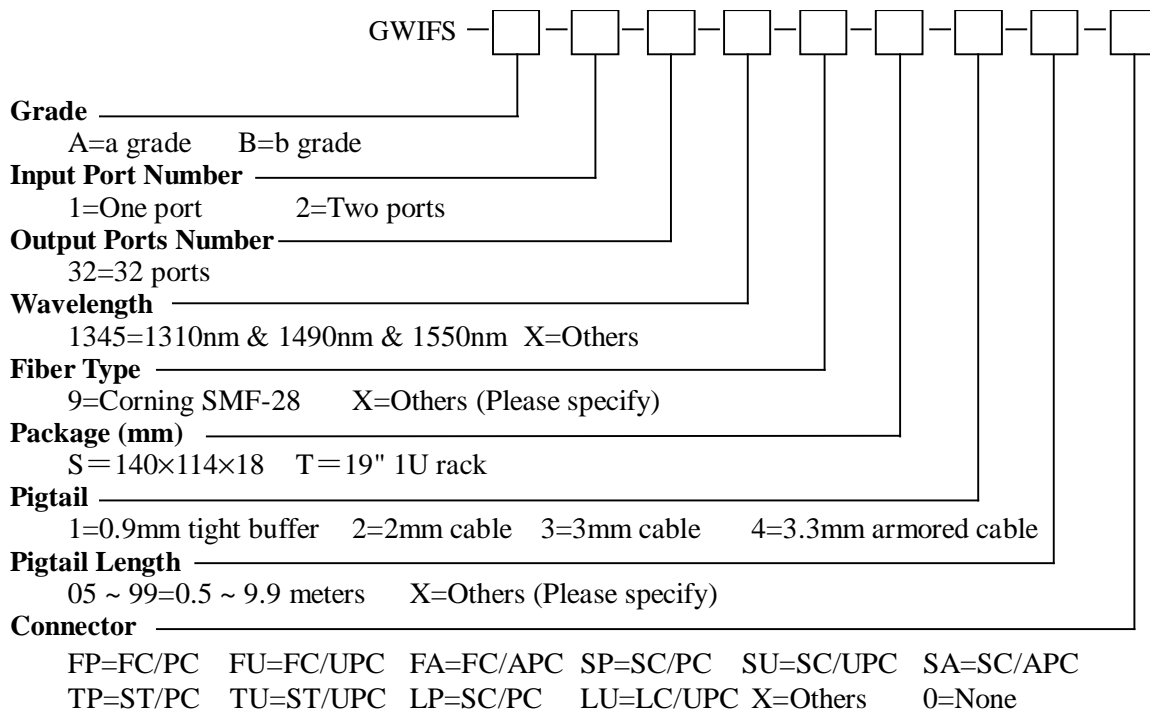
(1 × 32)

Specifications

Item	Unit	Parameter	
Operating Wavelength	nm	1310±50 & 1490±10 & 1550±10	
Configuration		1 (or 2) × 32	
Grade		a	b
Typ. Insertion Loss	dB	15.8	16.0
Max. Insertion Loss	dB	17.5	18.0
Max. Polarization Dependent Loss	dB	0.50	0.75
Min. Directivity	dB	50	40
Max. Uniformity	dB	3.0	4.0
Max. Wavelength Dependent Loss	dB	2.0	2.5
Max. Temperature Coefficient	dB/°C	0.010	
Operating Temperature	°C	-20 ~ +75	
Storage Temperature	°C	-40 ~ +85	
Package Dimensions	mm	S: 140×114×18 T: 19" 1U rack	

Note: All the data above does not include the insertion loss of connectors.

Ordering Information



Package Dimension (mm)

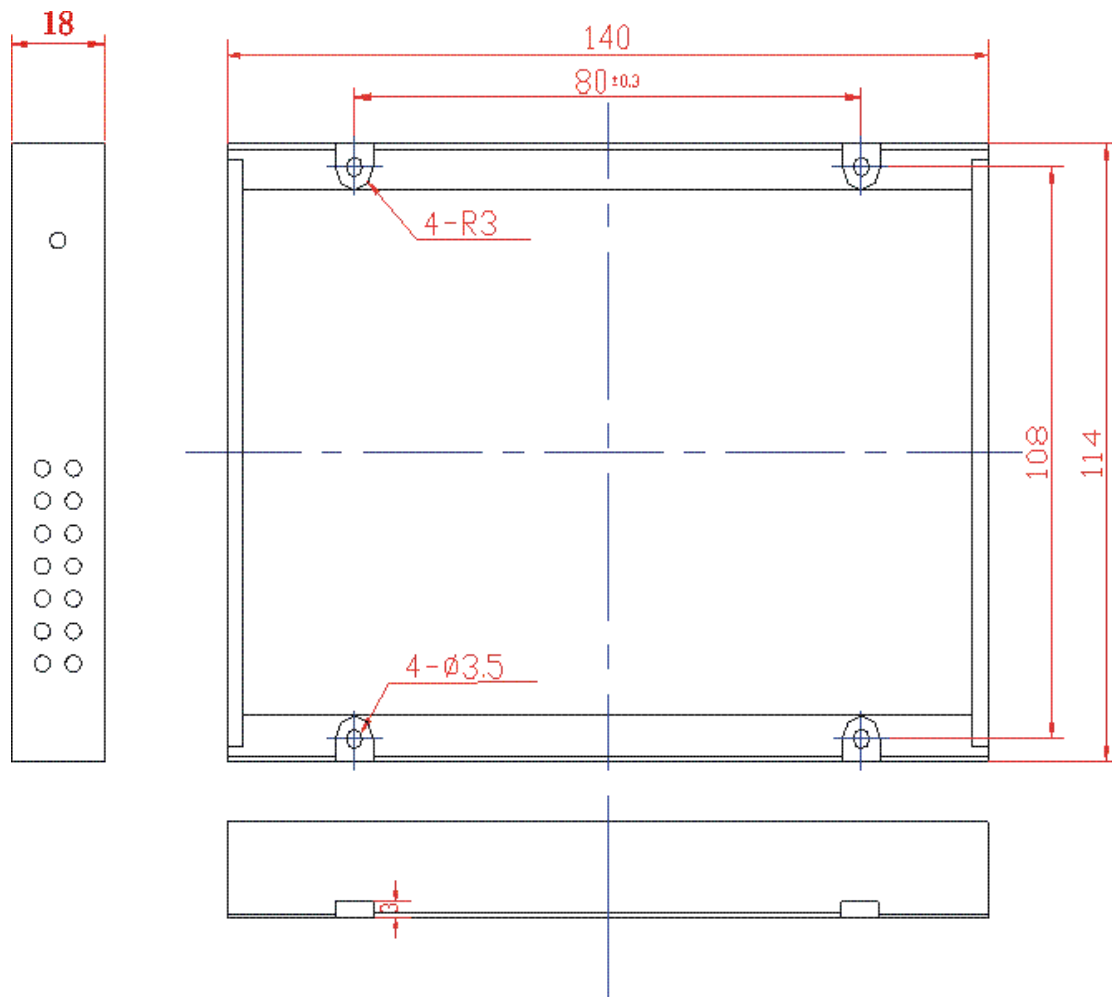


Fig.1 Package S

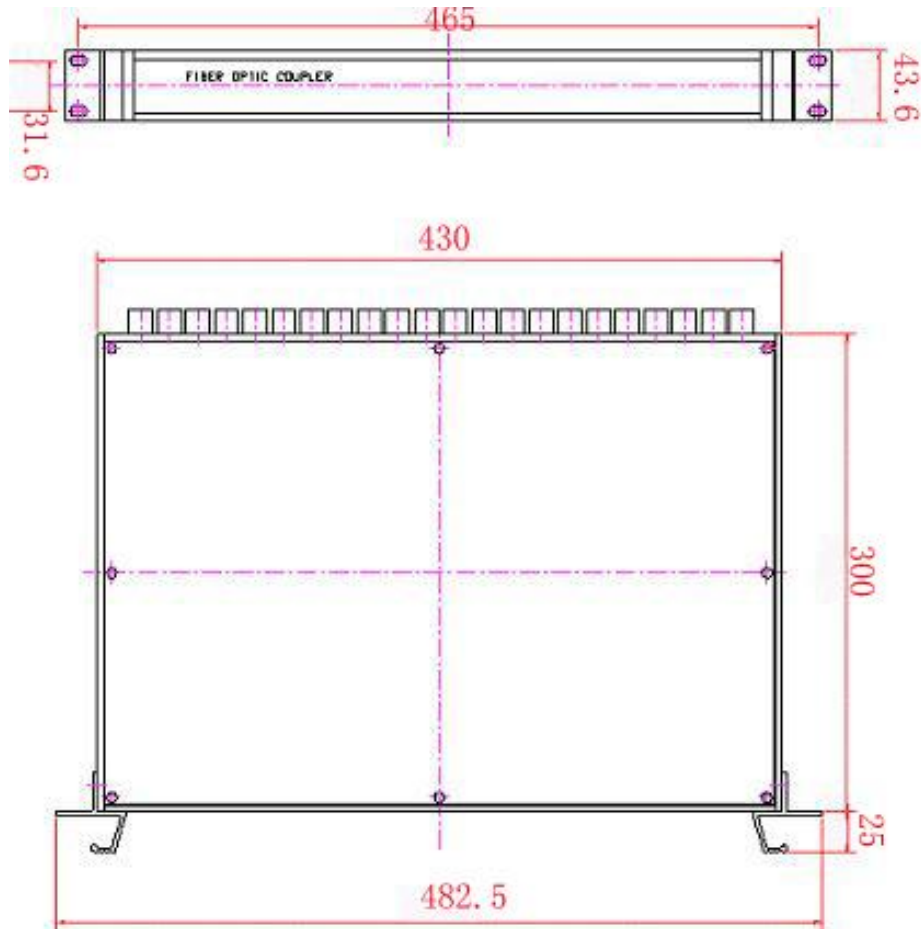


Fig.2 Package T