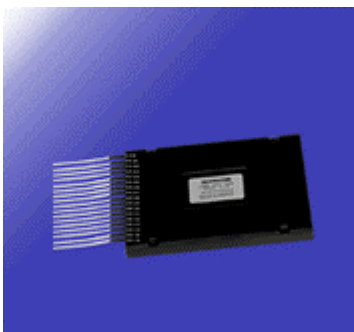


32 Channel 100GHz DWDM

Applications

DWDM Transmission System
 Optical Fiber Amplifier System
 Fiber-Optic Links
 Broadband Network



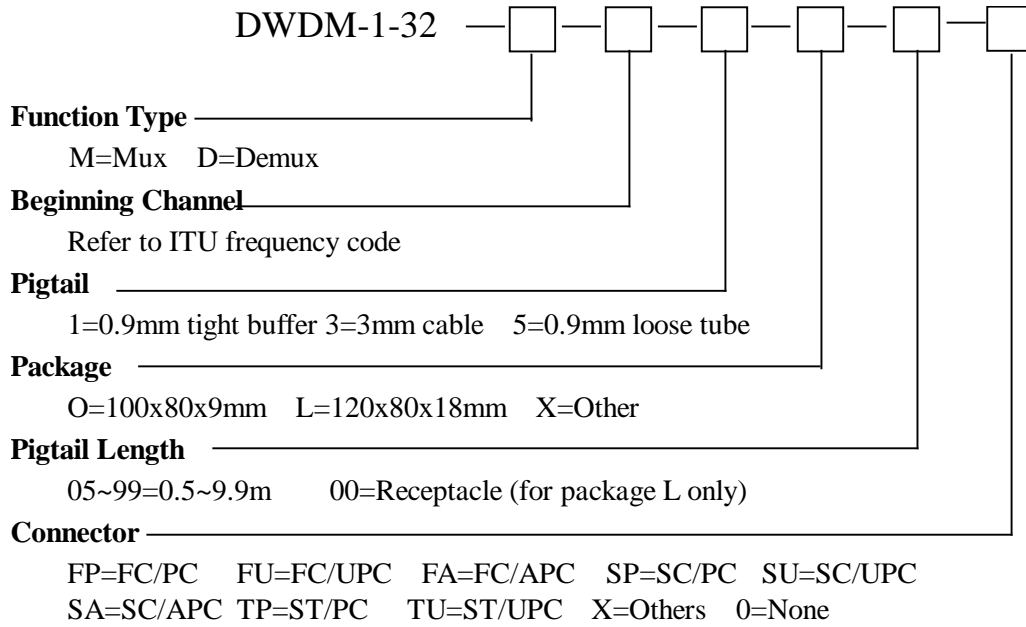
Features

- I Epoxy Free
- I Low Insertion Loss
- I High Reliability and Stability
- I Polarization Independent

Specifications

Item	Unit	Parameter	
		Mux	Demux
Center Wavelength (λ_c)	nm	ITU Channel ± 0.06	
0.5dB Pass Band	nm	± 0.18	
Typ. Insertion Loss	dB	6.8	
Max. Insertion Loss	dB	7.4	
Max Channel Uniformity @ λ_c	dB	1.5	
Min. Isolation of Adjacent Channels	dB	N/A	25
Min. Isolation of Non-adjacent Channels	dB	N/A	40
Min. Directivity	dB	50	
Max. Polarization Dependent Loss	dB	0.2	
Min. Return Loss	dB	45	
Max. Polarization Mode Dispersion	ps	0.2	
Max. Thermal Stability	dB/ $^{\circ}$ C	0.01	
Max. Thermal Wavelength Drift	nm/ $^{\circ}$ C	0.001	
Max. Optical Power	mW	250	
Operating Temperature	$^{\circ}$ C	0~+65	
Storage Temperature	$^{\circ}$ C	-40~+85	
Package Dimension	mm	R: 156 \times 120 \times 18 T: 19" 1U rack	

Ordering Information



Note: The specification will change without notice.