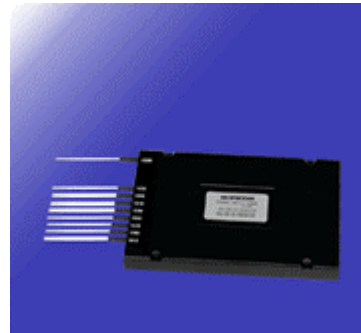


8 Channel CWDM

Applications

Metro Access System
 Data Communication System
 Fiber-Optic Links
 Optical Fiber Amplifier System



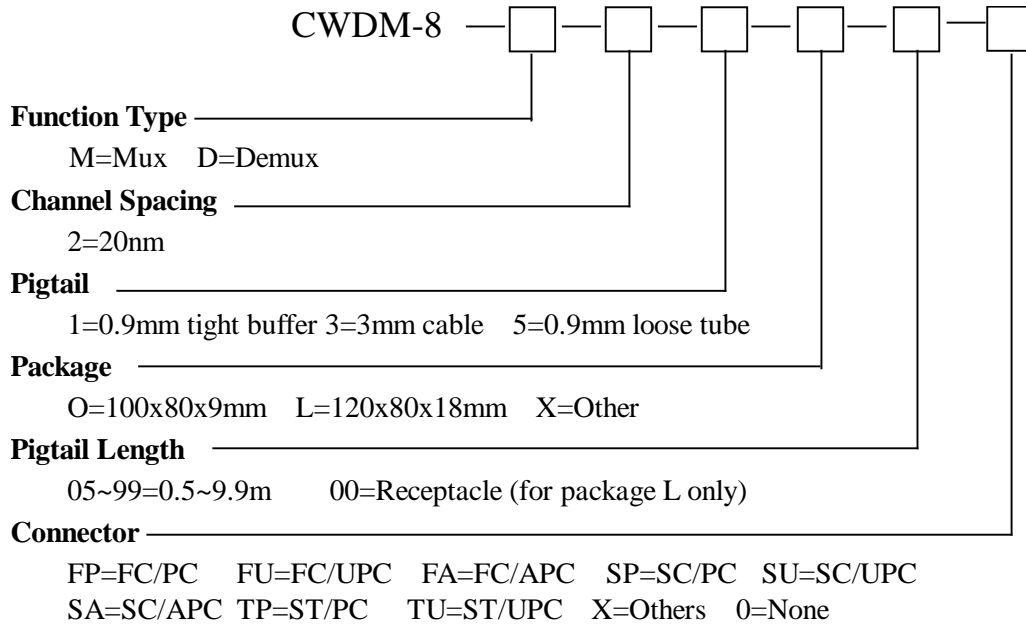
Features

- I Epoxy Free
- I Low Insertion Loss
- I High Reliability and Stability
- I Polarization Independent

Specifications

Item	Unit	Parameter
Center Wavelength (λ_c)	nm	1470,1490,~1610
0.5dB Pass Band	nm	15
Ripple of Pass Band	dB	0.4
Typ. Insertion Loss	dB	3.6
Max. Insertion Loss	dB	4.5
Min. Isolation of Adjacent Channels	dB	25
Min. Isolations of Non-adjacent Channels	dB	40
Min. Directivity	dB	55
Max. Polarization Dependent Loss	dB	0.2
Min. Return Loss	dB	45
Max. Polarization Mode Dispersion	ps	0.1
Max. Thermal Stability	dB/°C	0.007
Max. Optical Power	mW	250
Operating Temperature	°C	0 ~ +65
Storage Temperature	°C	-40 ~ +85
Package Dimensions	dB	P: 136x100x12 S: 140x114x18 G: 140x114x13

Ordering Information



Note: The specification will change without notice.