

GWR3300 Series Return Path Optical Receiver

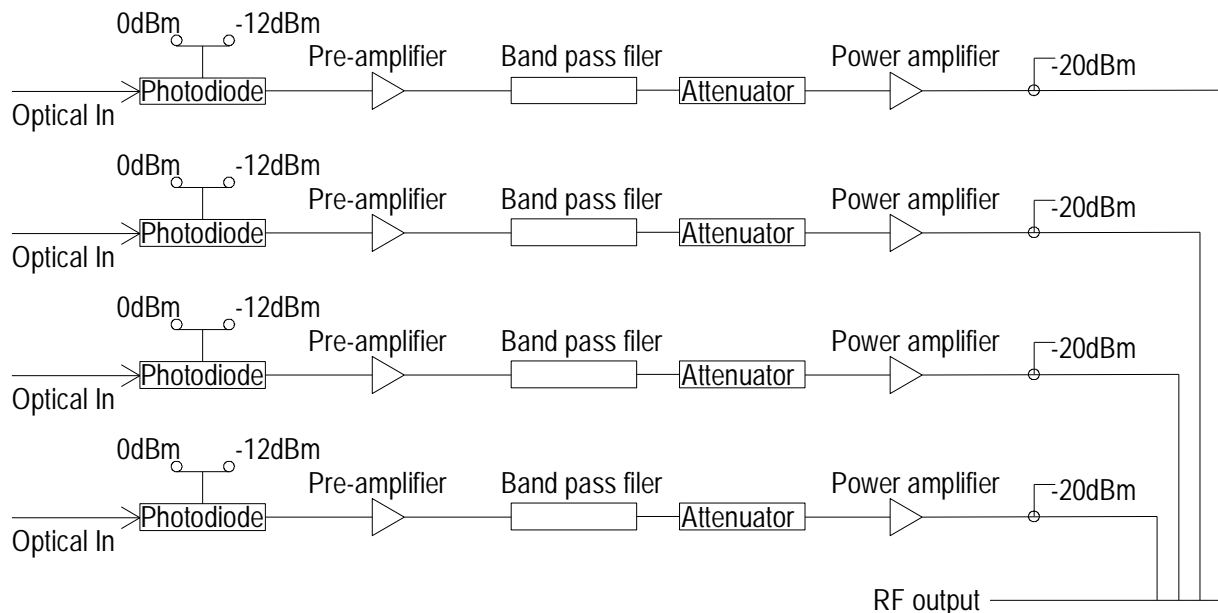


GWR3300 series rack mount return path receiver is designed for the indoor CATV return signal receiving. In the 19" 1RU rack, there are maximum 4 independent return path optical receivers. With high performance photodiode and hybrid amplifier, GWR3300 offers a clean return path band for Cable Modem up-streaming signals. Optical power indicator and RF test port on the front panel can indicate receiver's status.

Features

- l 1550nm/1310nm dual wavelength
- l 19" 1U standard rack mount
- l Low noise, high linearity photodiode
- l 5- 200 MHz RF Bandwidth
- l Band pass filter depressing the up-streaming noise
- l Output adjustment and -20dB RF test available on front panel

Block Diagram



Specifications:

Items	Unit	Parameters
Input Optical Power	dBm	-15 ~ +2
Recommended Optical Input	dBm	-10 ~ 0
Optical Return Loss	dB	>55
Optical Wavelength	nm	1100 ~ 1600
Optical Fiber Connector		FC/APC or SC/APC
Noise Power Ratio	dB	≥ 15 (for DFB laser return path transmitter)
		≥ 10 (for FP laser return path transmitter)
Frequency range	MHz	5~200
Flatness in band	dB	±0.75
RF Output Level	dBmV	<u>20@-8dBm</u> optical input
MGC Control Range	dB	±5
RF Return Loss	dB	≥16 (5~200 MHz)
Output Impedance	Ω	75
Working Temperature	°C	0~+50
Power consumption	W	10
Power Supply	V	100~240 (50/60Hz)
Dimensions	mm	480×325×44
Weight	Kg	8

Ordering Information

GWR3300-A-BC 19" 1U Optical Return Path Receiver

A: Number of independent optical return path receiver, from 1 to 4

BC: FC for FC/APC connector

SC for SC/APC connector