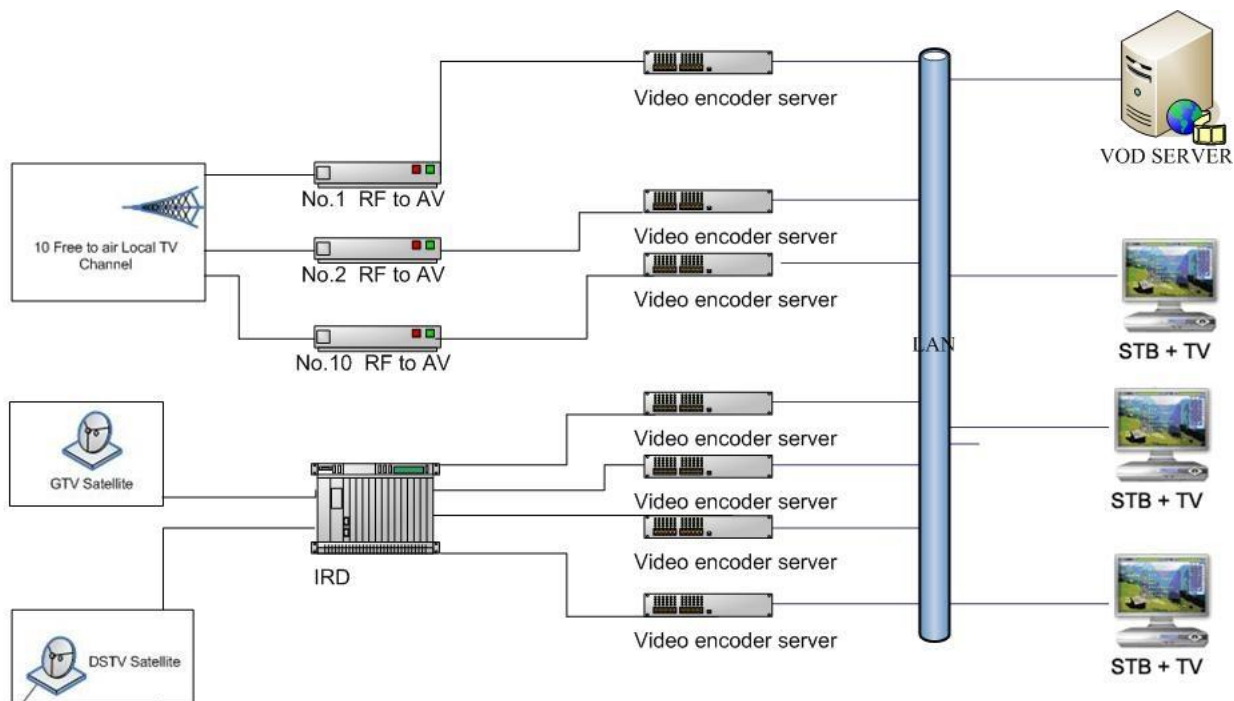


DVD Quality IPTV and VOD System

Greatway Technology DVD quality IPTV and VOD system includes GVOD100 server, GECD100 MPEG-II encoder and GSTB100 IPTV Set-up Boxes. With built-in powerful hardware and software, the system can deliver DVD quality real-time TV channels and on-demand movies Ethernet network. Meanwhile the system supports Karaoke function for personal entertainment. Greatway Technology DVD quality IPTV and VOD system is suitable for hotels and ocean ships with good Ethernet Network.



GSTB100 IPTV Set-up Box

GSTB100 is a high performance Set-up Box offering IPTV and VOD services based on Ethernet. With built-in powerful hardware and software, GSTB100 outputs DVD quality Video and MP3 audios. Together with Greatway Technology's GECD100 MPEG-II encoders and GVOD100 VOD Management Server, GSTB100 can provide real-time TV channels along with video contents on the server. GSTB100 also has Karaoke microphone input for private entertainment. Greatway Technology DVD quality IPTV and VOD system is suitable for hotels and ocean ships with good Ethernet Network.



Hardware

1. HGI Chip

High Speed RISC Processor (10ns/command), built-in SPARC V8
System Clock Frequency 100MHz, 8KB Cache
32Bit Address/Data Bus, supporting various demands
Audio/Video DSP solution based on C-Cube supporting multi data rate
Integrated 2D video speeding processor and SDRAM controller
Integrated Multi I/O interfaces including UART, IRIN, I2C

2. Powerful DVD Decoding ZIVA5 Chip

Built-in high performance DVD decoding chip ZIVA5 by C-CUBE Corporation
Supporting DVD data rate up to 11Mbit/s
Supporting AC3 decoding, DTS output, multi languages and multi fonts DVD function
Supporting MPEG1, MPEG2, MP3, CDDA multi data dates

Software

WindRiver VxWorks has been embedded in the IPTV STB. The operation system has strong reliable functions and easy to maintenance.

STB Specifications

FLASH ROM: 4M
SDRAM: 32M

Ethernet: 10/100M Base-T
Supporting TCP/IP/UDP/IGMP/PPP/HTTP/FTP Protocol
Network Management: SNMP AGENT 2.0

Video Output: Composite Video (CVBS) and S-Video
CVBS Video Level: 1V_{p-p}±10%
CVBS Video Impedance: 75Ω (unbalanced)
CVBS Video Connector: RCA

Audio Decoding: Dolby Digital MPEG-1 Layers I, II and III (MP3)
Audio Connector: RCA

Front Panel: TV channel Number, Microphone adaptor, Karaoke echo/volume adjust
Rear Panel: RJ-45, Video, S-Video, Stereo Audio, RS-232 ports and power adapter

Power Supply: AC 100~240V, 50/60Hz
Dimension: 210×46×21 (mm)
Weight: 800g
Working Temperature: 0~45°C
Working Humidity: 10%~90% (Non-condensing)

Accessory: infrared remote controller, two 1.5V batteries
Control functions such as play, forward, reward, pause and stop etc.

GECD100 MPEG-II Video Encoder

GECD100 MPEG-II encoder is designed to convert analogue video and audio into real-time digital streaming over Ethernet network. Together with Greatway Technology's GSTB100 set-up box and Management Server, GECD100 can provide real-time DVD quality TV channel for subscribers in the Ethernet network. Greatway Technology DVD quality IPTV and VOD system is suitable for hotels and ocean ships with good Ethernet Network.



Specifications:

Video Input: Composite Video

Video Level: 1Vp-p±10%

Video Impedance: 75Ω (unbalanced)

Video Connector: BNC

Video Encoding Resolution: supporting FULL D1 720×576(PAL)
Or 720×480(NTSC)

Video Encoding: MPEG-2

Frame per second: Maximum 50fps (720×576)

Video Correction: Contrast, Brightness, Saturation and Color adjustable

Audio Input: Two mono audio inputs

Audio Impedance: 600Ω (unbalanced)

Audio Connector: RCA

Audio Encoding Frequency: 8/16/ 22.05/24/32/44.1 /48 kHz

Audio Encoding: MPEG-I, II, III (Mp3)

Network Output: 10/100BASE-T (RJ45)

Network Protocol: TCP/IP, UDP, RTP/RTSP, IGMP

Accepting the management from Video Server

Power Supply: AC 100~240V, 50/60Hz

Power Consumption: <40W

Working Temperature: 0~45℃

Working Humidity: 10%~90% (45℃)

Dimension: 484×290×44 (mm)

Weight: 2Kg

GVOD100 VOD and IPTV Management Server

GVOD100 includes a high performance server hardware and IPTV/VOD management software. Together with Greatway Technology's GECD100 MPEG-II encoders and GSTB100 IPTV STB, GVOD100 can provide real-time TV channels and VOD services. Greatway Technology DVD quality IPTV and VOD system is suitable for hotels and ocean ships with good Ethernet Network.

Features:

- | Video Streaming Control
- | Video Contents Storage and Management
- | Video inventory management
- | Responding the subscribers' video demands;
- | VOD Management: Subscriber Authentication, Video Management
- | Database Service: Video Database, subscriber database
- | Stable video streaming outputs
- | Real time web news function
- | Announcement or community notification

Specifications:

- | IBM226 or Equivalent Server hardware
- | Intel DualCore 2.8G processor
- | 2G ECC DDR ROM
- | 300G High Speed System Hard Disk
- | DVD Driver
- | 1000M Network Interface
- | 100M Network Interface
- | Ultra 320 SCSI Controller
- | Video Contents Hard Disk:1800G SCSI
- | One main power supply and one standby power supply
- | 17" LCD
- | Video Server software including: video streaming controller, system management, subscriber management, video contents management and maintenance
- | Web news broadcasting software
- | Hard Disk Array based 4U chassis

Operation Menu

Users' Instruction		
Real Time TV	TV Channel 1	
	TV Channel 2	
	TV Channel 3	
	TV Channel 30	
Movie on Demand	War Movies	Movie 1 Movie N
	Comedy Movies	
	Terror Movies	
	Cartoon Movies	
	Latest Movies	
Music on Demand	Classical Music	
	Jazz	
Information Service	News	
	Announcement	