

GWR3300 Return Path Optical Receiver

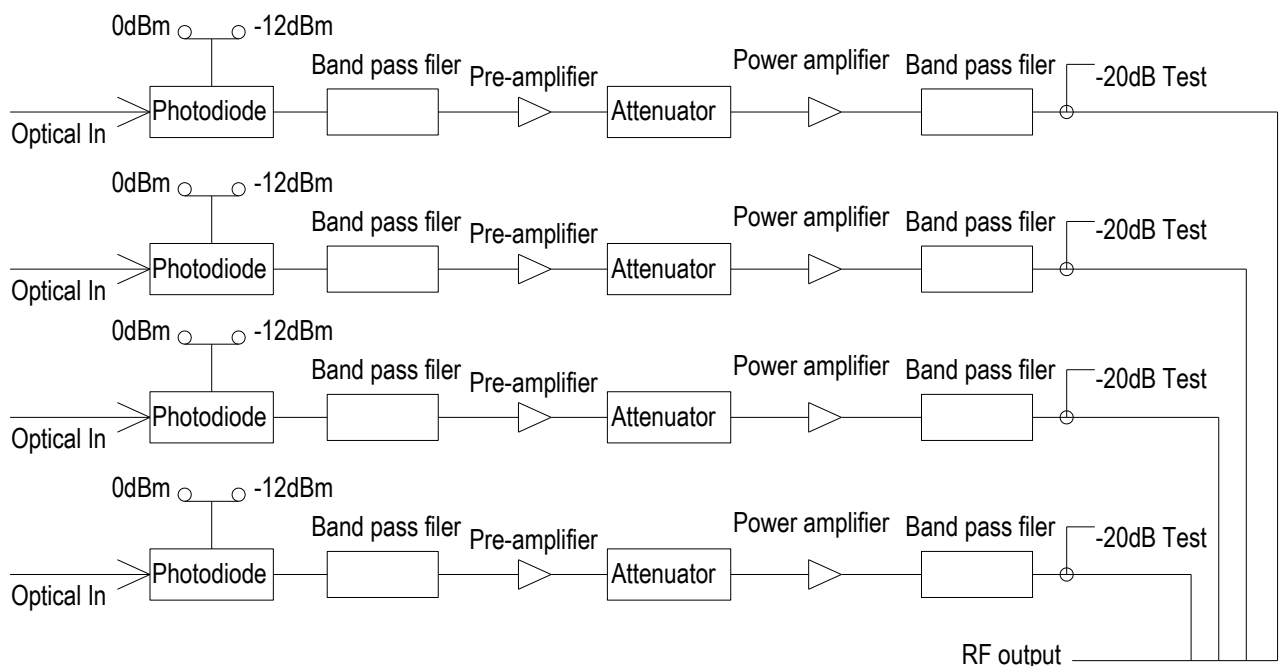
GWR3300 rack mount return path receiver is designed for the indoor CATV return signal receiving. In the 19" 1RU rack, there are maximum 4 independent return path optical receivers. With high performance photodiode and hybrid amplifier, GWR3300 offers a clean return path band for Cable Modem up-streaming signals. Optical power indicator and RF test port on the front panel can indicate receiver's status.



Features

- 1550nm/1310nm dual wavelength
- 4 independent RPR in one 19" 1U standard rack
- Low noise, high linearity photodiode
- 5- 204 MHz RF Bandwidth
- Two band pass filters to depress the upstreaming noise
- Output adjustment and -20dB RF test available on front panel

Block Diagram



Specifications:

| Items | Unit | Technical Parameters |
|---------------------------|------|--|
| Input Optical Power | dBm | -15 ~ +2 |
| Recommended Optical Input | dBm | -10 ~ 0 |
| Optical Return Loss | dB | >45 |
| Optical Wavelength | nm | 1200 ~ 1650 |
| Optical Fiber Connector | | FC/APC or SC/APC |
| Noise Power Ratio | dB | ≥ 15 (for DFB laser return path transmitter) |
| | | ≥ 10 (for FP laser return path transmitter) |
| Frequency range | MHz | 5~204 |
| Flatness in band | dB | ±0.75 |
| RF Output Level | dBmV | <u>20</u> @-8dBm optical input |
| MGC Control Range | dB | 0~20 |
| RF Return Loss | dB | ≥16 |
| Output Impedance | Ω | 75 |
| Working Temperature | °C | -10~+55 |
| Power consumption | W | 18 |
| Power Supply | V | 90~265 (50/60Hz) |
| Dimensions | mm | 480×325×44 |
| Weight | Kg | 5 |

Ordering Information

GWR3300-A-BC 19" 1U Optical Return Path Receiver

A: Number of independent optical return path receiver, from 1 to 4

BC: FC for FC/APC connector

SC for SC/APC connector